

A photograph of a modern architectural entrance. The entrance features a glass canopy supported by metal poles, with the word "DAWSON" written in large white letters across the top. Below the canopy is a set of double glass doors with metal frames and handles. The doors are set within a structure of grey stone or concrete pillars. The ground in front of the entrance is paved with light-colored tiles, featuring a circular manhole cover and a rectangular metal grate. The background shows a street with a car and some greenery.

DAWSON

ARCHITECTURAL ENTRANCES

ABOUT

Don't knock Dawson Metal's open-door policy. Dawson Metal (which does business as Dawson Doors) manufactures custom-made stainless steel, aluminum, and bronze doors for businesses and storefronts. The company also manufactures balanced doors, which open in an elliptical arch. It mainly serves US corporations and the construction industry, and makes doors for private residences, as well. A family-owned and operating business since 1946, Dawson remains the leading manufacturer of quality metal fabrications and architectural products, serving clientele in the United States and throughout the world. From simple to ornate, every project is designed and fabricated through a unique approach focused on providing the highest quality for the most difficult and demanding fabrications and finishes. Our global clientele come back to Dawson because of our success in meeting or exceeding their expectations.

FERRE
GUCCI®
VIA RODEO
U.S. CAPITOL
TIFFANY & CO
FORD MOTORS
CAPITAL GRILLE
NEW YORK TIMES
ONE VANDERBILT
SENATE BUILDING
CHRYSLER BUILDING
HOTEL CARMICHAEL
ST. GEORGE THEATER
ROCKEFELLER PLAZA
LIVE! CASINO & HOTEL
PARIS HOTEL & CASINO
MUSEUM OF THE BIBLE
U.S. EMBASSY IN BEIJING
SANTA BARBARA MUSEUM
GA STATE OFFICE BUILDING
SMITHSONIAN MUSEUMS
SHAW CENTER FOR THE ARTS
HOME OF THE EMIR OF QATAR
CHICAGO STARBUCKS RESERVE
WASHINGTON HARBOUR HOTEL
ROSEWOOD HOTELS IN ABU DHABI
SHEA'S PERFORMING ARTS CENTER
KING FAHD INTERNATIONAL AIRPORT
STATE CAPITOL BUILDING, JUNEAU, AK

PROMINENT PROJECTS



INNOVATION

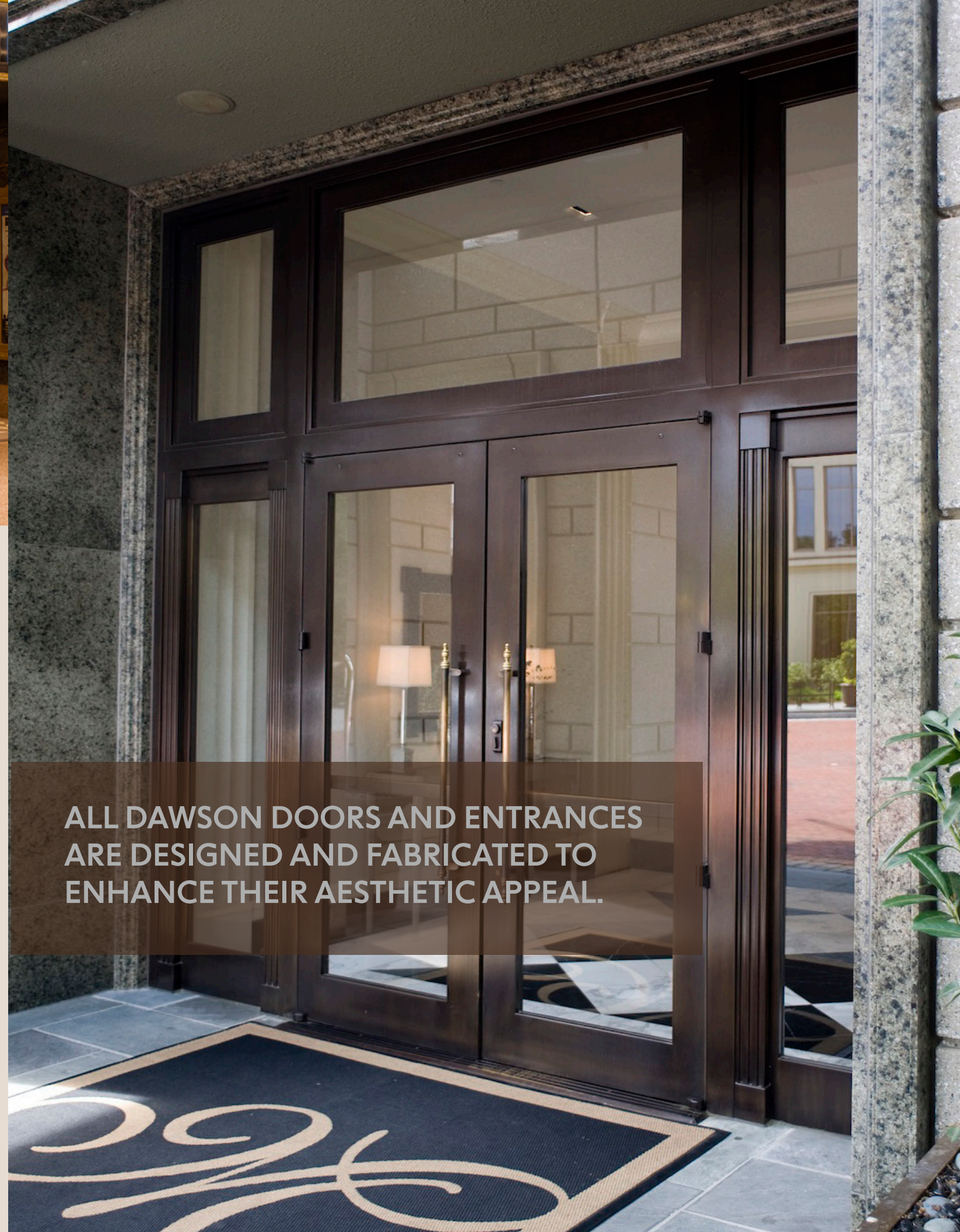
Behind Every Dawson Door is our long-standing reputation as a leading manufacturer of high-quality custom stainless steel or bronze doors and related architectural products.

Custom Architectural Entrances

Dawson custom doors are manufactured from quality materials to the architect's specifications. The unique design uses a continuous stainless steel or bronze skin, blanked from one sheet of material. The result is a truly seamless door face with a flawless finish. The continuous internal reinforced channel frame within the vertical stiles, as well as the rails, interlocks and is welded internally thus adding superior door structural rigidity.

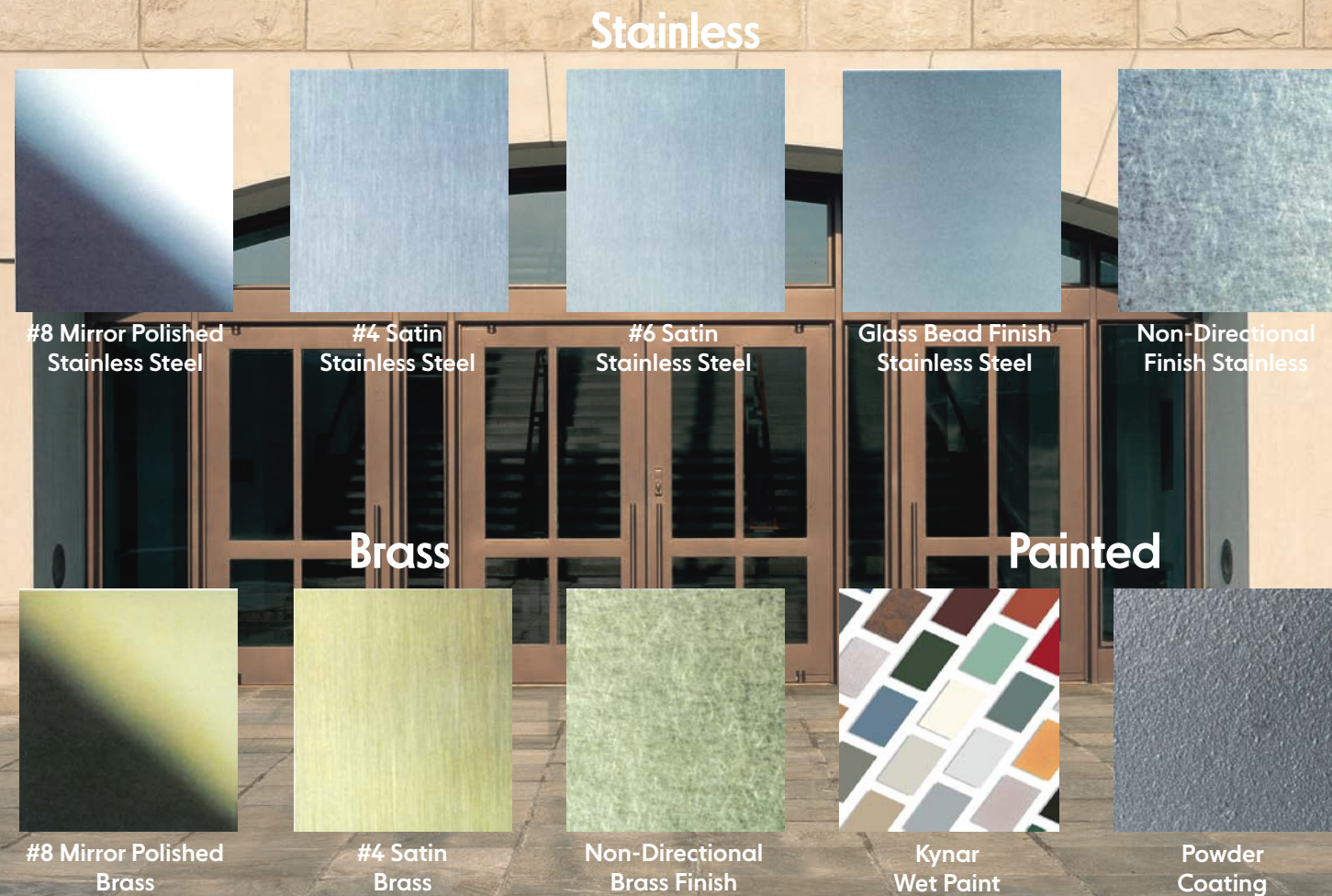
All Custom Series doors can be fitted with a variety of swing door hardware, as well as the highest quality balanced door hardware. The superior function of our swing or balanced door design and the exceptional quality and beauty of Dawson Custom Doors satisfy the most demanding specifications.

Dawson's proprietary designer door system offers the architect and contractor an economical, high-quality alternative to custom installations. 16-gauge material combined with structural welded construction yields a durable, functional entrance system. These stainless steel or bronze doors and frames are available in the same fine finishes as Dawson's Custom Series for an aesthetically superb appearance.



ALL DAWSON DOORS AND ENTRANCES ARE DESIGNED AND FABRICATED TO ENHANCE THEIR AESTHETIC APPEAL.

FINISHING OPTIONS



The above photos are a representation of our finishes. Please consult the factory to obtain actual finish samples prior to final selection. Additional finishes available; please call Dawson's sales department for special options.



Material Options

- 304 Stainless Steel
- 316 Stainless Steel
- 464 Alloy Naval Brass
- 280 Alloy Muntz Metal
- 13 ga Galvanized Steel
- .125 (1/8") Aluminum
- Corten Steel

CUSTOM THRESHOLDS



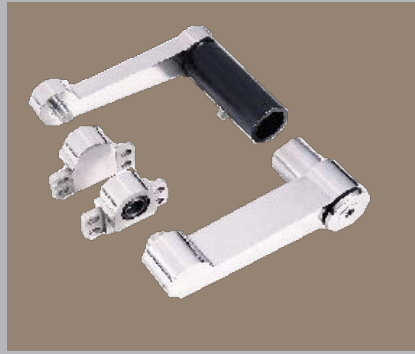
Dawson Custom Thresholds can be fabricated from stainless steel or brass, and include all necessary support channels and anchors. Thresholds can be manufactured in any specified width, up to 120" long (one piece), and are ADA compliant at 1/4", 3/8" or 1/2" high. Thresholds are available with a factory-applied #4 satin finish (US32D/US4). Hardware preparation, return miters/returned closed ends, and door jamb notches are available on all threshold types. Custom machined plate thresholds are also available and can be supplied with a Slipnot finish upon request.

WHY DAWSON?

- Solution-Oriented Team
- Professional Coordination
- Consistent High Quality
- On-Time/Deadline Driven
- Current Code Compliance
- ISO Certified Factory
- Quick & Reliable Quotes
- Competitively Priced
- Long Term Trusted Fabricator
- American Made Products
- International Reputation



HARDWARE CONFIGURATIONS



Balanced

The door panel rotates around a rolling pivot in an elliptical path to provide the widest possible opening.



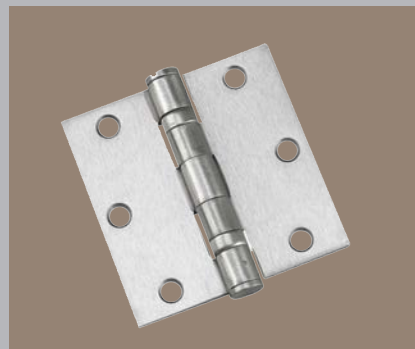
Offset Pivoted

Used on single acting doors - the pivot point is offset from the center.



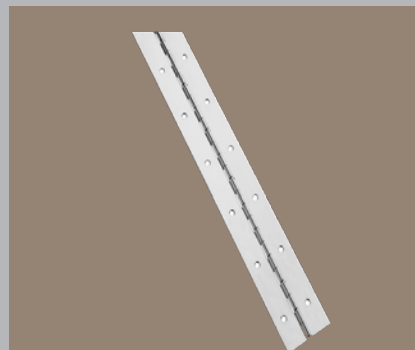
Center Hung

Used on single or double acting doors - the pivot point is at the center.



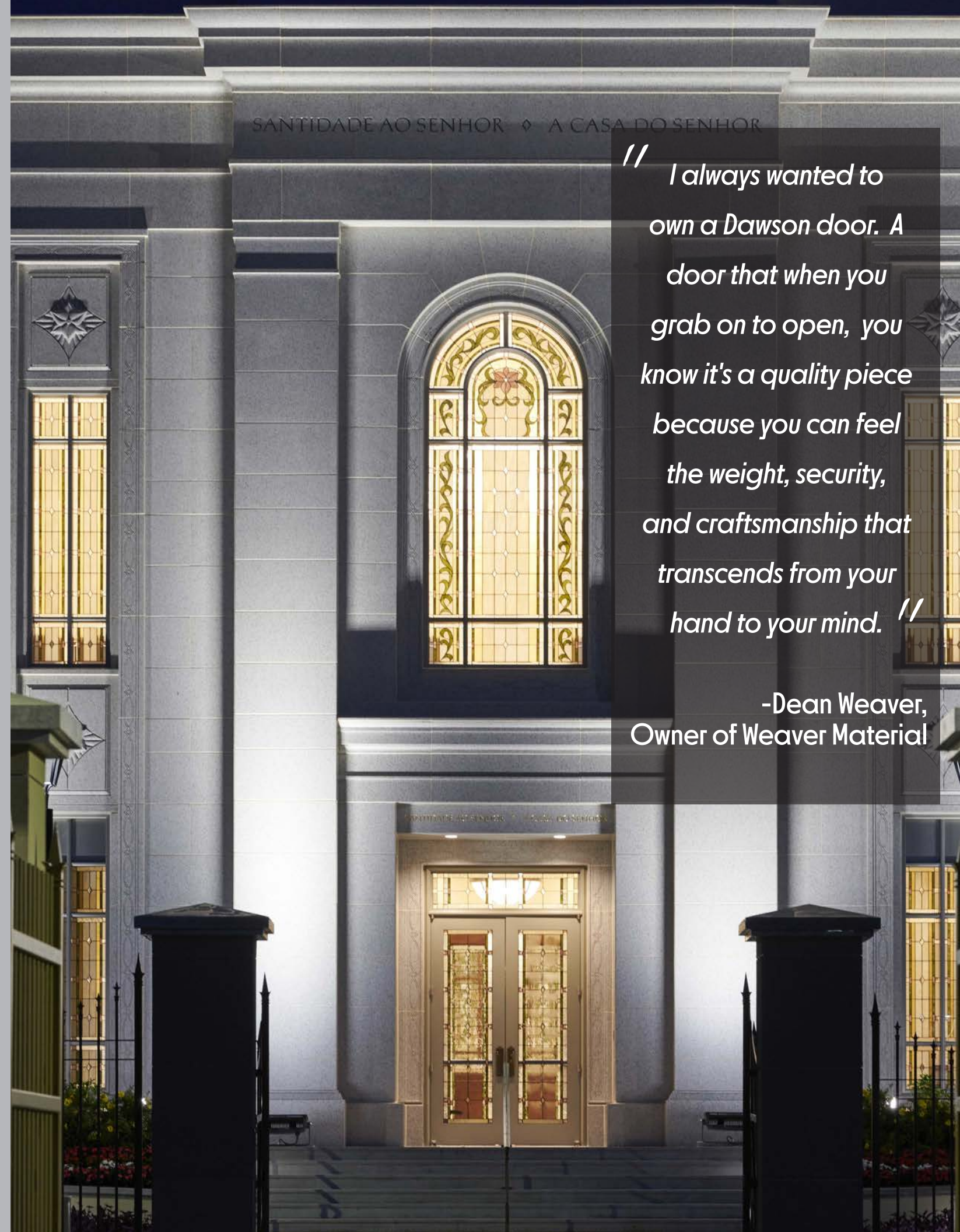
Butt Hung

Comprised of two leaves that match, one is attached to a fixed component and the other to a moving component.



Continuous Hinge

Made to match the full height of the door so the weight of the door is distributed along the full height of the frame.



// I always wanted to own a Dawson door. A door that when you grab on to open, you know it's a quality piece because you can feel the weight, security, and craftsmanship that transcends from your hand to your mind. //

*-Dean Weaver,
Owner of Weaver Material*

THE DAWSON BALANCED DOOR

Dawson's balanced doors are understood to be the highest standard in the industry.

Lower Maintenance Cost

Dawson manufactures stainless steel castings to match stainless steel doors, and bronze castings to match bronze doors. There is no dissimilar metal reaction.

Competitors use bronze cast arms on stainless doors, which will oxidize over time and require costly maintenance.

Superior Materials

Dawson uses self-aligning needle bearings in all door pivots.

Competitors use plastic sleeve bearings.

Stronger Hinges

Dawson uses a 1.9" diameter steel tube welded to the arms.

Competitors use a 1.75" diameter steel tube hinge shaft.

Stronger Check Mechanism Unit With Better Integration

Dawson makes a one-piece check mechanism machined from stainless steel, which is 50 percent stronger, more than twice as hard, and will not discolor due to corrosion. The Dawson check mechanism has a larger cross-sectional area for strength, which is located within the header, free of debris and contaminants, and incorporates a trim plate to match the frame material.

Competitors use a guide box that is manufactured from one-piece cast bronze and additional secondary mechanism located in the floor for adjustment of the spring tensioner.

Easier Installation & Adjustment

Dawson's product integrates all the controls (spring tension, swing speed and latch speed) in the header. This location not only offers protection from dirt and corrosion, but allows for ease of installation, as well as easy access for adjustments in the guide channel without having to remove the door from the opening.

Competitors' hardware is difficult to adjust because the gearbox is located below the threshold grade. This means the floor must be cut (or an appropriate space "boxed out") to accommodate the hardware. This location exposes the mechanism to dirt, water, salt, and other contaminants, which can cause corrosion and make adjustment difficult.

STANDARD SERIES



ALL GLASS SERIES



ULTRA NARROW SERIES



CUSTOM SERIES



ALUMINUM SERIES

New and Improved

Dawson's newly designed system utilizes the Record 8100 series auto operator. This operator fits nicely in a 6" high x 6" deep header and offers several enhanced features compared to the older, outdated system (still used by our leading competitor). Our engineers designed this system so that the closer is eliminated from the balanced hardware which creates a truly free swinging door with no resistance. Next, we designed a smaller robust header mechanism so that the operators drive arm could be connected directly to the door, meanwhile still ADA compliant for the ease of opening manually. There is a very small cutout on the interior side of the door for the required drive arm clearance, but this is totally concealed when the door is in the closed position. The Record 8100 series operator features include an internal clutch/brake system which maintains door position at the fully-open and/or fully-closed position. Additionally, a power assist mode is available which provides additional opening force thus greatly reducing the amount of force required to open the door in manual mode (as little as 2 pounds of opening force can be achieved).



DAWSON



Dawson Metal Company, Inc. | 825 Allen Street | Jamestown, NY 14701
(716) 664-3815 | Fax (716) 664-3845
DawsonMetal.com | Info@DawsonMetal.com

